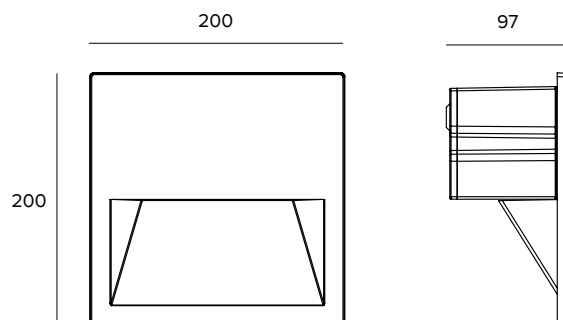


## 1E3762EL90 | ZEDGE Pro

### Recessed wall mounted LED fixture



The fixture's photometric values can be found on the following pages



The figures on the drawing are expressed in mm.

#### SOURCE

2 high efficiency Ra90 LED Chip on Board.

**Energy efficiency class:** E

**Nominal power:** 14W

**Nominal flux:** 1851lm

**Colour rendering index:** 90

**Rf:** 91

**Rg:** 100

**CCT nominal:** 3500K

**Lifetime (L80/B10):** >50000h tq +25°C

#### ILLUMINOTECHNICAL CHARACTERISTICS

The internal optical system is composed of 2 metallised polycarbonate reflectors coupled to two high reflectance anodised aluminium reflectors and holographic filters. Louver screen in silk-screen printed extra-clear glass. ADJUSTABLE version - that allows to change from one beam to the other in a uniform way by adjusting the 2 optical systems.

**Optic:** FLOOR WASHER

**Optical efficiency:** See photometries

**Fixture flux:** See photometries

**Luminous efficacy:** See photometries

**Photobiological safety:** Compliant with RG1 low risk group

#### MECHANICAL CHARACTERISTICS

The light frame is made of die-cast anodised and powder-coated aluminium. External frame made of die-cast anodised and powder-coated aluminium.

**Colour and finish:** Ferrite

**Weight:** 2.35Kg

**Version:** ADJUSTABLE

**Degree of protection:** IP66

**Mechanical Resistance:** IK10

#### ELECTRICAL CHARACTERISTICS

Complete with electronic ON-OFF power supply. Pre-cabled with a 1m H07RN-F (2x1,5mm<sup>2</sup>) cable. Luminaire compliant with EN 60598-2-22 for power supply from a centralised emergency system CPSS (Central Power Supply System), not incorporated in the luminaire - high risk areas excluded. The default power and flux are 100% in AC and 100% in DC.

**Fixture Power:** 16W

**Power supply:** 220-240Vac 50/60Hz

**Insulation Class:** CLASS 2

**Type of driver / Control:** ON-OFF

**Driver included:** YES

**Class F:** YES

**SAFE FLICKER:** PstLM=<1 and SVM=<0.4 (IEC TR 61547-1 and IEC TR 63158), to ensure a more comfortable and safe light

**Ambient temperature:** -25°C / +35°C

#### INSTALLATION

To be completed with a special nylon outer casing fitted for parallel connection.

#### NOTES

Designed in collaboration with Gensler. Uses the "Waterblock Smart" technical solution that involves resin coating the connection cables, limiting the risk of humidity reaching the driver or the fixture. It is possible to subject the product to Cataphoresis treatment on request. 110-277Vac version available on request.

#### WARRANTY

5 years.

#### WARNING

Luminaire designed for disposal/recycling at end-of-life. Replaceable (LED only) light source by a professional. Replaceable control gear by a professional.

*Due to the technological evolution of the electronic components, the data provided may be updated, and as such, confirmation must be requested during the order process.*

*Luminous flux and power supply have +/-10% tolerances with respect to the indicated value. tq +25°C (CIE 121).*

*We reserve the right to make technical changes.*

Targetti Sankey S.r.l.  
Via Pratese, 164  
50145 Firenze - Italy  
Tel: +39 055 37911  
targetti.com  
targetti@targetti.com

CCIAA Firenze  
Share Capital:  
€ 500.000,00  
VAT N. (IT):  
01537660480  
R.E.A: FI-275656

**TARGETTI**

**1E3762EL90 | ZEDGE Pro**  
**Recessed wall mounted LED fixture**

	3500K		
	Ra90		
	Fixture Power	16W	
	Source Flux	1851lm	
	Fixture Flux	635lm	
	Efficacy	41lm/W	
1E3760	Imax=489cd/klm	Imax	905cd

	3500K		
	Ra90		
	Fixture Power	16W	
	Source Flux	1851lm	
	Fixture Flux	416lm	
	Efficacy	27lm/W	
1E3761	Imax=229cd/klm	Imax	424cd

**DEEP**

Fixture flux	635lm
Luminous efficacy	41lm/W
Optical efficiency	34%

**WIDE**

Fixture flux	416lm
Luminous efficacy	27lm/W
Optical efficiency	23%

Due to the technological evolution of the electronic components, the data provided may be updated, and as such, confirmation must be requested during the order process.  
 Luminous flux and power supply have +/-10% tolerances with respect to the indicated value. tq +25°C (CIE 121).

Targetti Sankey S.r.l.  
 Via Pratese, 164  
 50145 Firenze - Italy  
 Tel: +39 055 37911  
 targetti.com  
 targetti@targetti.com

CCIAA Firenze  
 Share Capital:  
 € 500.000,00  
 VAT N. (IT):  
 01537660480  
 R.E.A.: FI-275656



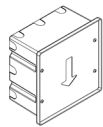
We reserve the right to make technical changes.

# 1E3762EL90 | ZEDGE Pro

## Recessed wall mounted LED fixture

### Related codes

#### Insertion Box



Code

**1E3219**

Nylon outer casing fitted for parallel connection with feed through-wiring.  
AxBxH=207x207x14.5mm.  
For flush or overlay installation.

#### Carter



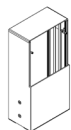
Colour

Code

**1E3440**

Plate accessory for wall mounted installation.  
Powder coated anodised aluminium.  
AxBxH=201x201x107mm.

#### Bollard



Kg

H mm

Colour

Code

3.5

400

**1E3437**

5.8

800

**1E3438**

7

1000

**1E3439**

Powder coated anodised aluminium bollard.

#### Mounting System



Code

**1E3450**

Fixing rods for installation in concrete.  
AISI 316 stainless steel.  
H=147mm.  
0.36Kg.

For Zedge Pro Bollard installation with pole 1E3437, 1E3438, 1E3439.

### Accessories

#### Connector



Code

**1E2769**

Linear connection box IP66/IP68.  
5 poles max. wire section 1.5mm<sup>2</sup>.  
Cable diameter range from 7 to 12mm.



Code

**1E2494**

Multiple connection box IP68.  
1 IN - 3 OUT 4 poles max. wire section 2.5mm<sup>2</sup>.  
Cable diameter range from 6 to 12mm.

#### Tool



Code

**1E3305**

Tightening wrench for the connector kit.

#### Surge protector



Code

**A013B**

Surge protector compatible with CLASS II lighting fixtures and electronic drivers.  
Operating voltage 220-240Vac.  
SPD type 2+3.  
Max surge protection 10kV.  
CLASS II  
IP67

Due to the technological evolution of the electronic components, the data provided may be updated, and as such, confirmation must be requested during the order process.  
Luminous flux and power supply have +/-10% tolerances with respect to the indicated value. tq +25°C (CIE 121).

We reserve the right to make technical changes.

Targetti Sankey S.r.l.  
Via Pratese, 164  
50145 Firenze - Italy  
Tel: +39 055 37911  
targetti.com  
targetti@targetti.com

CCIAA Firenze  
Share Capital:  
€ 500.000,00  
VAT N. (IT):  
01537660480  
R.E.A: FI-275656

# TARGETTI